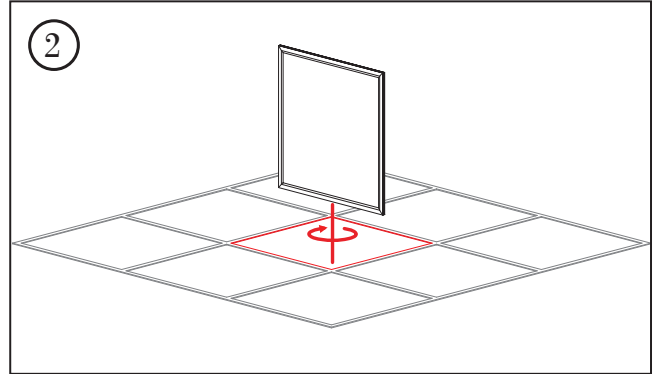
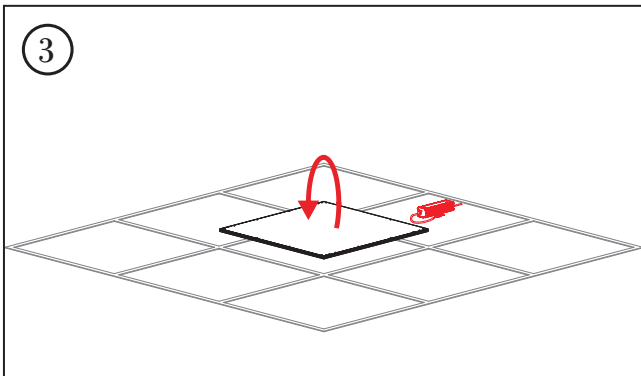


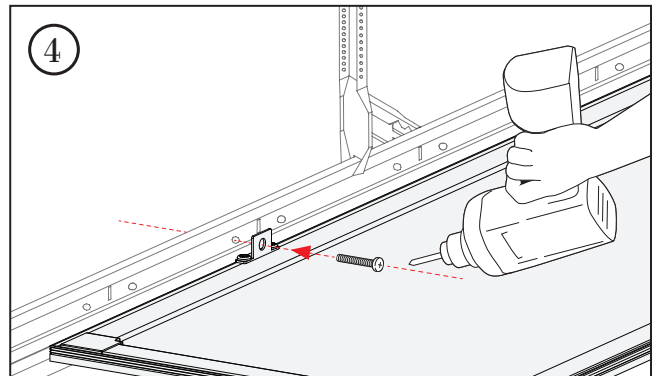
1 Insert the recessed module on a diagonal.



2 Turn the recessed module straight.



3 Place down the recessed module. Do not put the driver directly on the back-plate of the recessed module.



4 Fix restraint bracket to T-rail through a convenient hole with a screw from either side. Repeat this step at the other corners.