

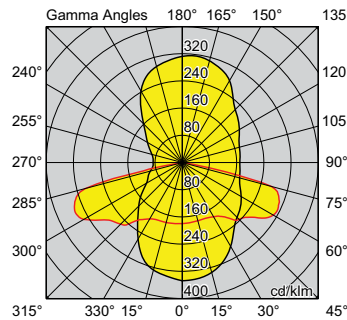
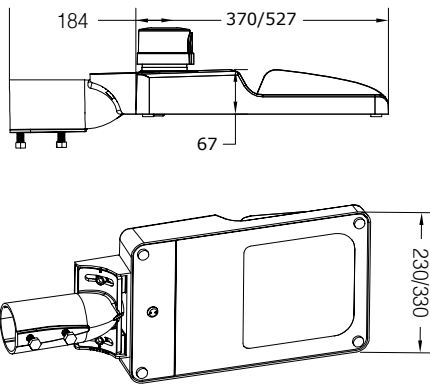
SASTALED

NZ ATCOP/M30 approved. Designed and engineered for New Zealand's P Category minor roads, V Category major roads and public spaces.

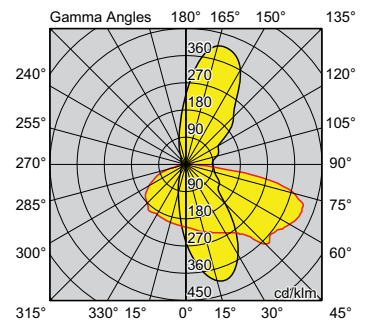


FEATURES:

- 20W-150W system wattage with Surge Protection Device (SPD)
- Pressure die-cast aluminium body (low copper content <0.1%)
- RAL 9007 polyester powdercoat fine textured finish as standard
- High transmission flat glass aeroscreen visor
- 7pin NEMA top mounted photocell (shorting cap supplied)
- -15° to +15° tilt mechanism
- Side entry Ø28-34mm (size1) or Ø42-48mm (size2)
- Post-top Ø76mm mounting accessory available to order
- Pre-wired for dimming through smart node (DALI)
- DALI, NEMA 7 and Smart City Ready control options
- Wieland Flex & Plug
- Pedestrian optic available
- CCT 4000K as standard, 3000K and 5000K available upon request
- CRI>70
- IP66, IK06
- Ambient operation temperature -10° to 25° C
- Compliant to AS/NZS 1158 where applicable



SASTALED P-CATEGORY 20W 4K P4
 — Vertical Plane Through Horizontal Angles (10-190)
 — Horizontal Cone Through Vertical Angle (62.5)



SASTALED V-CATEGORY 150W 4K NZ
 — Vertical Plane Through Horizontal Angles (10-190)
 — Horizontal Cone Through Vertical Angle (62.5)

PRODUCT CODE	VERSION	WATTAGE	CCT	CRI	DELIVERED LUMENS*	MASS
SL99N234L20P4	P CATEGORY 20W 4000K S PES7 CO 9007 P4	20W	4000K	>70	2354lm	5.6kg
SL99N234L20P3	P CATEGORY 20W 4000K S PES7 CO 9007 P3	20W	4000K	>70	2481lm	5.6kg
SL99N234L60	V CATEGORY 60W 4000K S PES7 CO 9007 NZ	62W	4000K	>70	8637lm	8.1kg
SL99N234L80	V CATEGORY 80W 4000K S PES7 CO 9007 NZ	83W	4000K	>70	10954lm	8.1kg
SL99N234L100	V CATEGORY 100W 4000K S PES7 CO 9007 NZ	102W	4000K	>70	12689lm	8.1kg
SL99N234L120	V CATEGORY 120W 4000K S PES7 CO 9007 NZ	123W	4000K	>70	15571lm	8.1kg
SL99N234L150	V CATEGORY 150W 4000K S PES7 CO 9007 NZ	156W	4000K	>70	19538lm	8.1kg
SLZPT76	SLED 76 POST TOP ADAPTER 9007					

*Delivered lumens from luminaire, including thermal, electrical and optic losses.